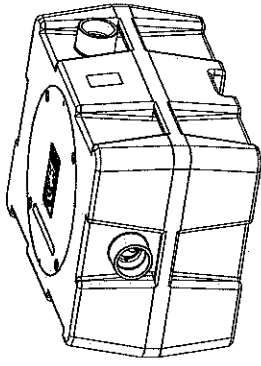
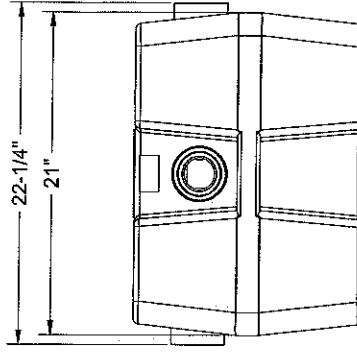


TAG NUMBER: GI-2

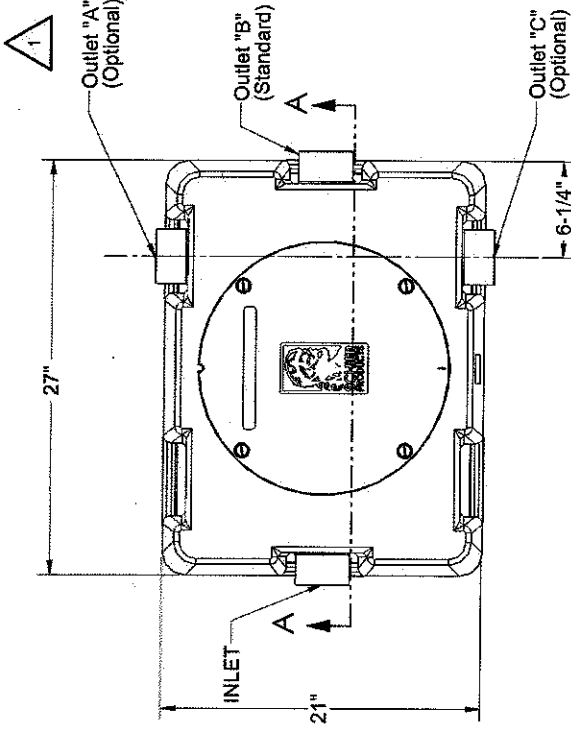
TAKOMA PARK MS



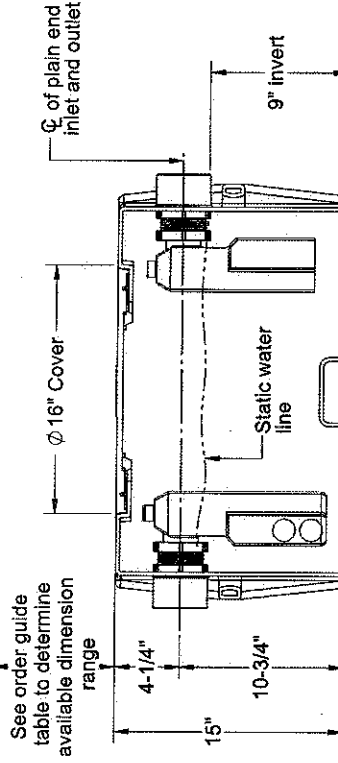
ISOMETRIC VIEW



OUTLET END VIEW



TOP VIEW



SECTION "A-A"

SPECIFICATIONS

1. 3" inlet/outlets Sch. 40, Plain End (No-Hub)
2. Max flow rate: 25 GPM
3. Liquid capacity: 22 Gallons
4. Max grease capacity: 75 lbs. (10.4 Gallons)
5. Max solids/sediment capacity: 6.4 Gallons
6. Unit weight w/std. covers: 31 lbs.
7. Standard covers handle 450 lbs. when unit is directly buried and a 2,500 lbs. load when buried in SR16 riser.
8. Maximum operating temperature 190°F continuous.
9. Seamless molded polyethylene tank.

OPTIONS

- SR16** - Teleglide adjustable riser
- MPT** - Male pipe thread connections
- PS2** - 2" Plain End inlet/outlet connection
- CC16** - Clamping collar kit

Teleglide Riser Order Guide

Riser Range	GB-25
	SR16
0"-2"	N/A
>2-1/8"-16"	1
>16"	N/A

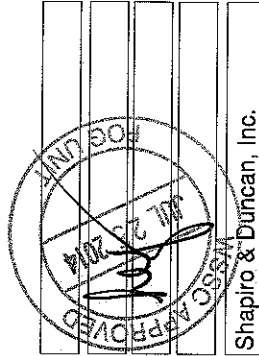
Signature of Approval:

Company:

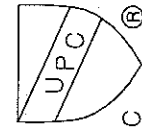
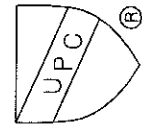
Date of Approval:

Specifying Engineer:

Engineering Firm: Shapiro & Duncan, Inc.



Listed by IAPMO to ASME A112.14.3 and CSA B481.1.



PROPRIETARY AND CONFIDENTIAL
THE INFORMATION CONTAINED IN THIS DRAWING IS THE SOLE PROPERTY OF SCHIER PRODUCTS. ANY REPRODUCTION IN PART OR AS A WHOLE WITHOUT THE WRITTEN PERMISSION OF SCHIER PRODUCTS IS PROHIBITED.

MODEL NUMBER: GB-25	PART NUMBER: 4015-001-XX
DESCRIPTION: 25 GPM POLYETHYLENE GREASE INTERCEPTOR	
DWG BY: N.EBERT	DATE: 12/05/2013
REV: 1	ECO: 1035

Schier Products
9500 Woodend Road
Edwardsville, KS 66611
Tel: 800-827-7119
Fax: 800-827-9664
www.schierproducts.com

Made in the U.S.A.



SCHIER PRODUCTS
Pioneering Drain Line Purity

SUBMITTAL SHEET